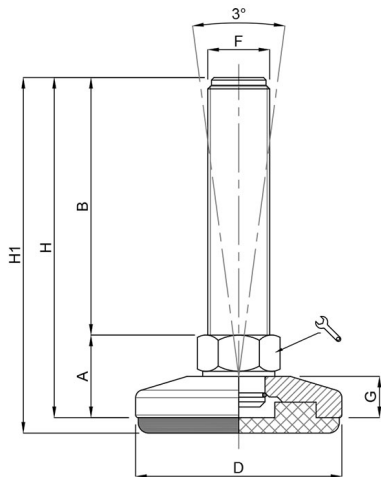


Stainless Steel line | Medium Load - Solid base - Tilted stem 2/3° | Ø 30/40 - Antislip


CODE	SIZE (F)	FLOOR DISTANCE (A)	STEM LENGTH (B)	BASE SIZE (D)	BASE LENGTH (G)	TOTAL HEIGHT	REGULATION (SW)	WEIGHT (gr)	LOAD (Newton)
30825/G	M8x1,25	14	25,00	30	8	42,00	HEX 14	-	8000
30850/G	M8x1,25	14	50,00	30	8	67,00	HEX 14	-	8000
301025/G	M10x1,5	14	25,00	30	8	42,00	HEX 14	-	8000
301050/G	M10x1,5	14	50,00	30	8	67,00	HEX 14	-	8000
301075/G	M10x1,5	14	75,00	30	8	92,00	HEX 14	-	8000
38825/G	M8x1,25	14	25,00	40	8	42,00	HEX 14	88	9000
38850/G	M8x1,25	14	50,00	40	8	67,00	HEX 14	97	9000
381025/G	M10x1,5	14	25,00	40	8	42,00	HEX 14	93	9000
381050/G	M10x1,5	14	50,00	40	8	67,00	HEX 14	105	9000
381075/G	M10x1,5	14	75,00	40	8	92,00	HEX 14	118	9000
381250/G	M12x1,75	14	50,00	40	8	67,00	HEX 14	115	9000
3812100/G	M12x1,75	14	100,00	40	8	117,00	HEX 14	151	9000

• Stainless steel base in 1.4301 (1.4401 on specific request). Black non-skid plate in NBR rubber 90 shore. Stainless steel screw in 1.4301 (1.4401 on specific request). The leveling element could be supplied, on request, with steel nut.

• Load values above mentioned have to be considered referring to static conditions calculated at the half of the screw length. In conditions of vibrations or in presence of dynamic loads these values should be reduced. For further information consult our technical office. We cannot accept responsibility for mounts that have been tampered or modified