

## Round External Doors - Multi Hand Wheels, with Hinge

### P06-D20



**Description:** Upper manhole outwardly opening.

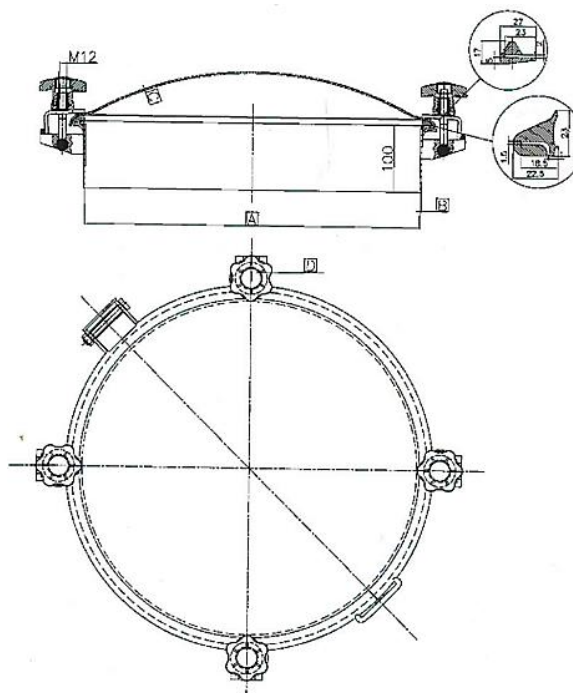
Access: 200-1600mm

**Material:** Stainless steel AISI 304 /AISI 316/L

**Finish:** Polished Cover / 2B frame

Nylon Handwheel

**Working Pressure:** -0.5 - +0.1 see below



A	200	300	420	460	500	600	700	800	900	1000	1200	1400	1500	1600
B	2.5	2.5	2.5	2.5	2.5	2.5	3	3	3	3	3	3	3	3
C	2	2	2.5	2.5	2.5	2.5	3	3	3	3	3	3	3	3
D	3	4	4	4	4	5	6	8	8	10	10	12	14	16
Pressure	-0.5/+0.5	-0.5/+0.4	-0.5/+0.2	-0.5/+0.1	-0.5/+0.1	-0.5/+0.1	-0.5/+0.1	-0.5/+0.1	-0.5/+0.1	-0.5/+0.1	-0.5/+0.1	-0.5/+0.1	-0.5/+0.1	-0.5/+0.1

This Data Sheet refers to the material as supplied. The information contained herein is given in good faith, but no liability will be accepted by the Company in relation to same. We reserve the right to change the details given on this Data Sheet as additional information is acquired. Customers requiring the latest version of this Data Sheet should contact our sales department.